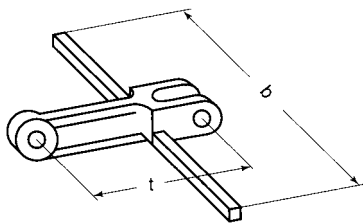


Special-purpose scrapers

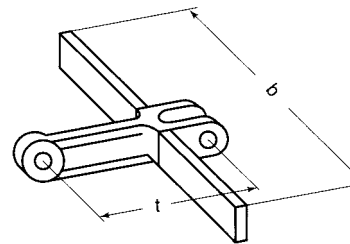


A variety of different scrapers are available for drop forged chains as well as for double drag link chains. Special-purpose types are available for horizontal, inclined, or vertical conveyors. In this

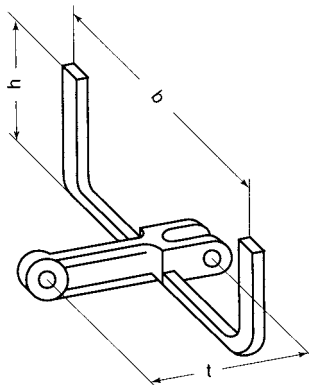
context, the capacities are taken into consideration as well. Below please find some examples of steel scrapers.



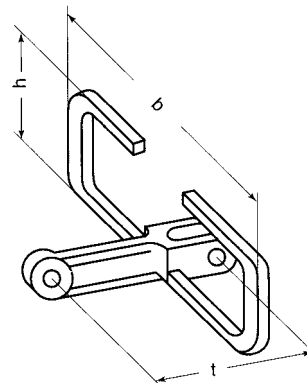
Chain for horizontal conveyor purposes



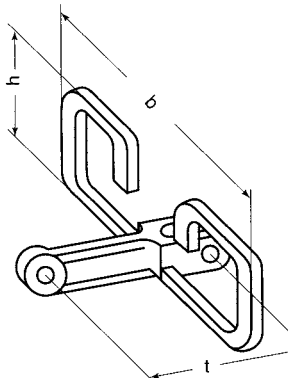
Chain for horizontal conveyor purposes with higher capacity



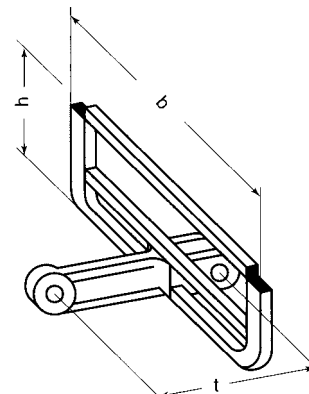
"U" chain for inclined conveyor purposes



"UO" chain for vertical conveyor purposes



"OO" chain for vertical conveyor purposes at increased capacity



"S" chain for special conveyor purposes