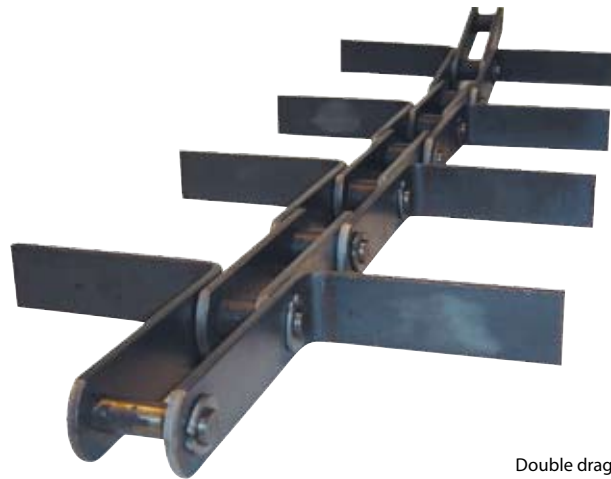


DIN 8165 double drag link chains

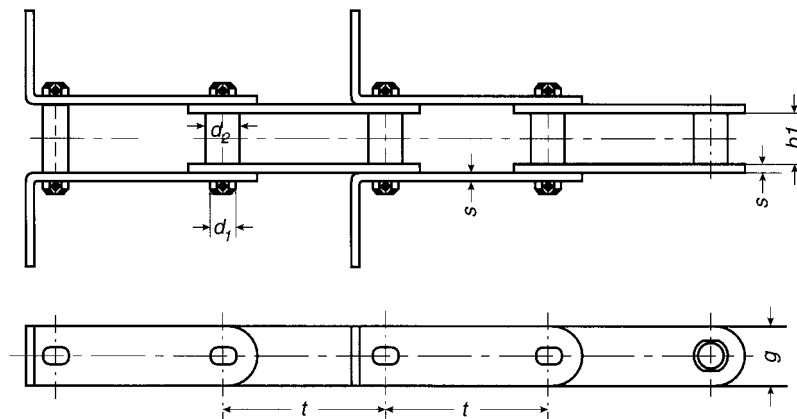


Double drag link chain with bent scrapers

The DIN 8165 double drag link chains consist of a combination of inner and outer links. The bush/pin connections between the links are available in a circlips, a splitpin, or a riveted version. The steel scrapers may be either bent or

welded. Of course it is also possible to attach plastic scrapers to these chains.

The following table shows the double drag link chains according to DIN 8165.



DIN 8165 double drag link chain (parameters in mm)

Breaking load in N	63.000	90.000	112.000	140.000	180.000	250.000
Inner width (b1)	22	25	30	35	45	55
Bush diameter (d2)	18	20	22	26	30	36
Pin diameter (d1)	12	14	16	18	20	26
Plate height (g)	30	35	40	45	50	60
Plate thickness (s)	4	5	6	6	8	8

(t) is the pitch of the chain, available in the following sizes:

40 - 50 - 63 - 80 - 100 - 125 - 150 - 160 - 200 - 250 mm.