

Plastic profiles

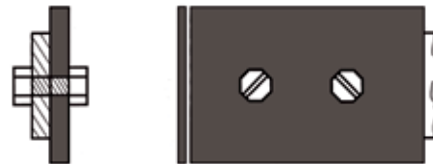


Plastic profiles are available made of various different materials, such as: vulcolan, Nylon, PE / PU, and UHMPE. These may be used as flights or as scrapers.

The profiles are available in various different versions. This page shows the most commonly used models.

Profile A

Plastic profile attached to the steel scraper.



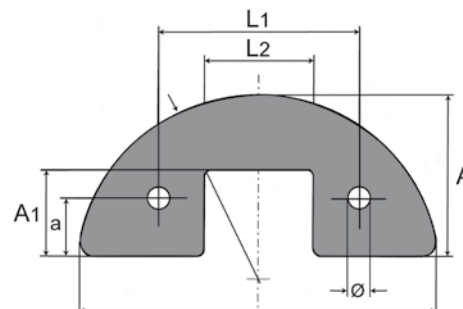
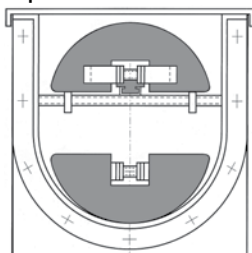
Profile B

Plastic profile pushed over the steel scraper.



Profile C

The so-called 'half moon' profile is attached to the steel scraper.



Plastics rolls

Plastics rolls are used to support the conveyor chain.

